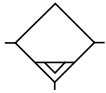


35F, 43F Filters – Hi-Flow



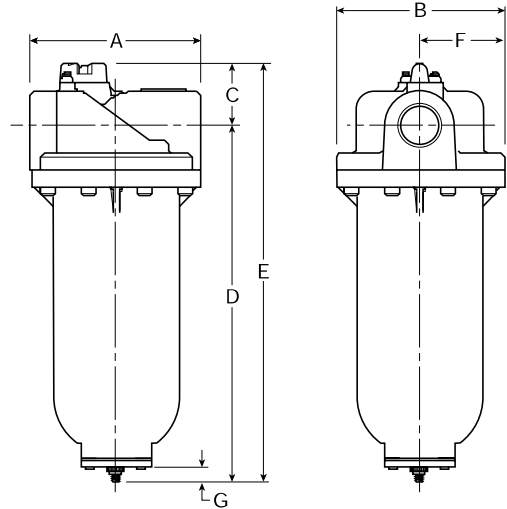
Auto Drain



Features

- Heavy-duty cast aluminum housings to withstand operating pressures up to 250 PSIG*
- Differential pressure indicator to eliminate the guesswork of element replacement
- Differential pressure gauge available, order separately, Kit DP3-01-000
- Unique drain mounting plate design offers a trouble-free method for interchanging and installing external drains
- High flow: 1-1/2" – 1280 SCFM[§]
 2" – 1400 SCFM[§]
 3" – 2900 SCFM[§]

* Without Differential Pressure Indicator – Max. supply pressure is 250 PSIG (20.7 bar).



Series	Port Size	Element Type	Part Number (NPT)
			Automatic Drain
35F	1-1/2	5 micron	35F77BAP
	2	5 micron	35F87BAP
43F	3	5 micron	43FN7BAP

35F Filter Dimensions						
A	B	C	D	E	F	G
7.80 (198)	7.75 (197)	2.81 (71)	16.24 (412.5)	19.07 (484)	3.88 (98.6)	.55 (14)
43F Filter Dimensions						
A	B	C	D	E	F	G
8.94 (227)	8.88 (225.5)	3.48 (88)	25.96 (659.4)	29.44 (748)	4.44 (112.8)	.55 (14)

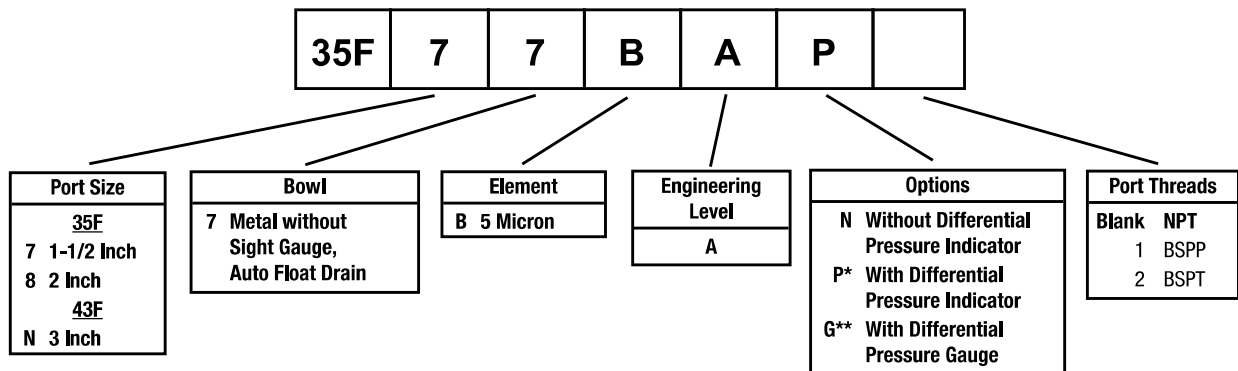
Standard part numbers shown bold.

For other models refer to ordering information below.

[§] SCFM = Standard cubic feet per minute at 90 PSIG inlet and 5 PSIG pressure drop.

inches (mm)

Ordering Information

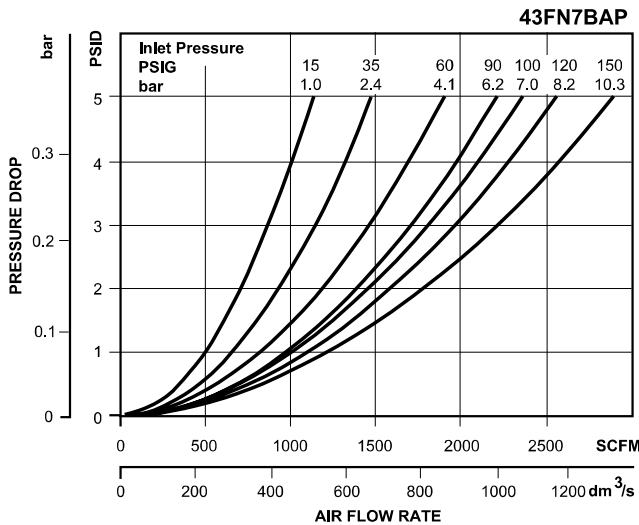
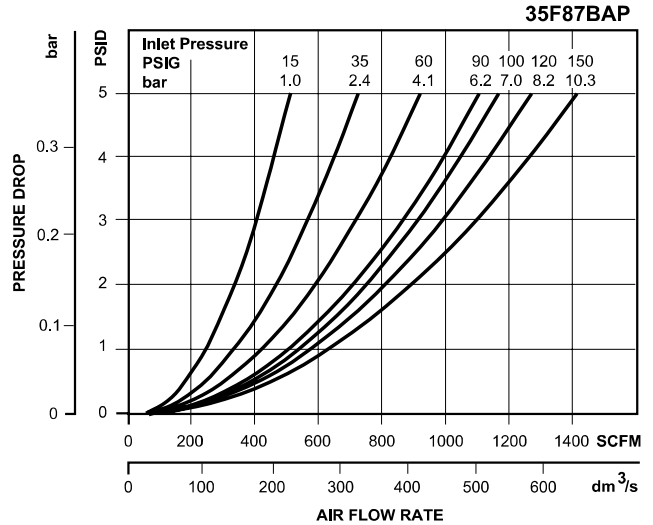
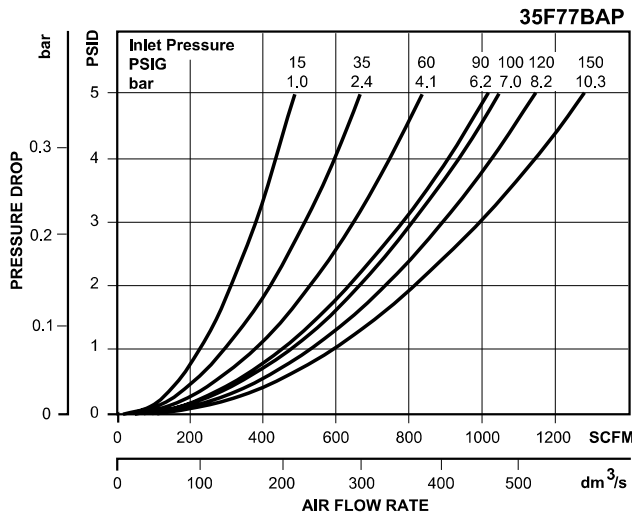


* Max. pressure rating 150 PSIG.
 ** Gauge ships loose.

BOLD ITEMS ARE MOST POPULAR.



Technical Information



35F & 43F Filter Kits & Accessories

- Differential Pressure Indicator Cap –**
For pressures over 150 PSIG GRP-95-022
- Differential Pressure Gauge** DP3-01-000
- Differential Pressure Indicator** DP2-02-001
- Drain, Automatic, Internal, Fluorocarbon –**
1/8 NPT GRP-95-981
- Drain Plate Kit –**
1/2 NPT Tapped Drain Port GRP-95-393
- Element –**
35F, 5 Micron FRP-95-505
43F, 5 Micron FRP-95-508
- Manual Drain Kit**
with 1/2" Drain Plate GRP-95-392

Specifications

- Maximum Supply Pressure –**
without DPI and with Pressure Gauge 250 PSIG (17.2 bar)*
with DPI 150 PSIG (10.3 bar)
- Operating Temperature** 32° to 150°F (0° to 65.5°C)

- Port Size –**
35F 1-1/2, 2 Inch
43F 3 Inch
- Standard Filtration** 5 Micron
- Weight –**
35F 19.3 lb. (8.7 kg)
43F 32.8 lb. (14.9 kg)
- * Without pressure indicator

Materials of Construction

- Baffle** Plated Steel
- Body** Aluminum
- Bowls** Aluminum
- Deflector** Plated Steel
- Element Retainer** Plated Steel
- Filter Element** Polyethylene
- Seals** Fluorocarbon
- Stud** Plated Steel

